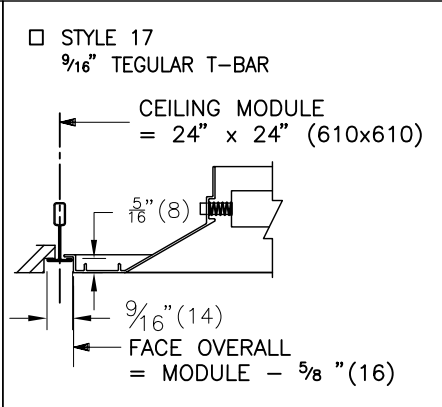
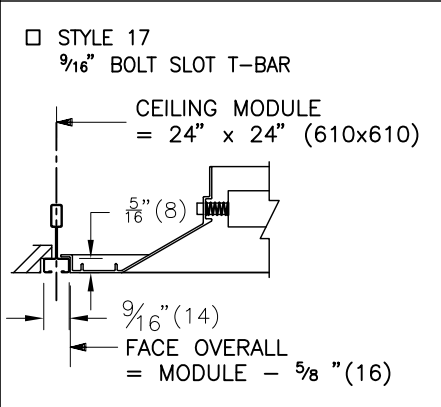
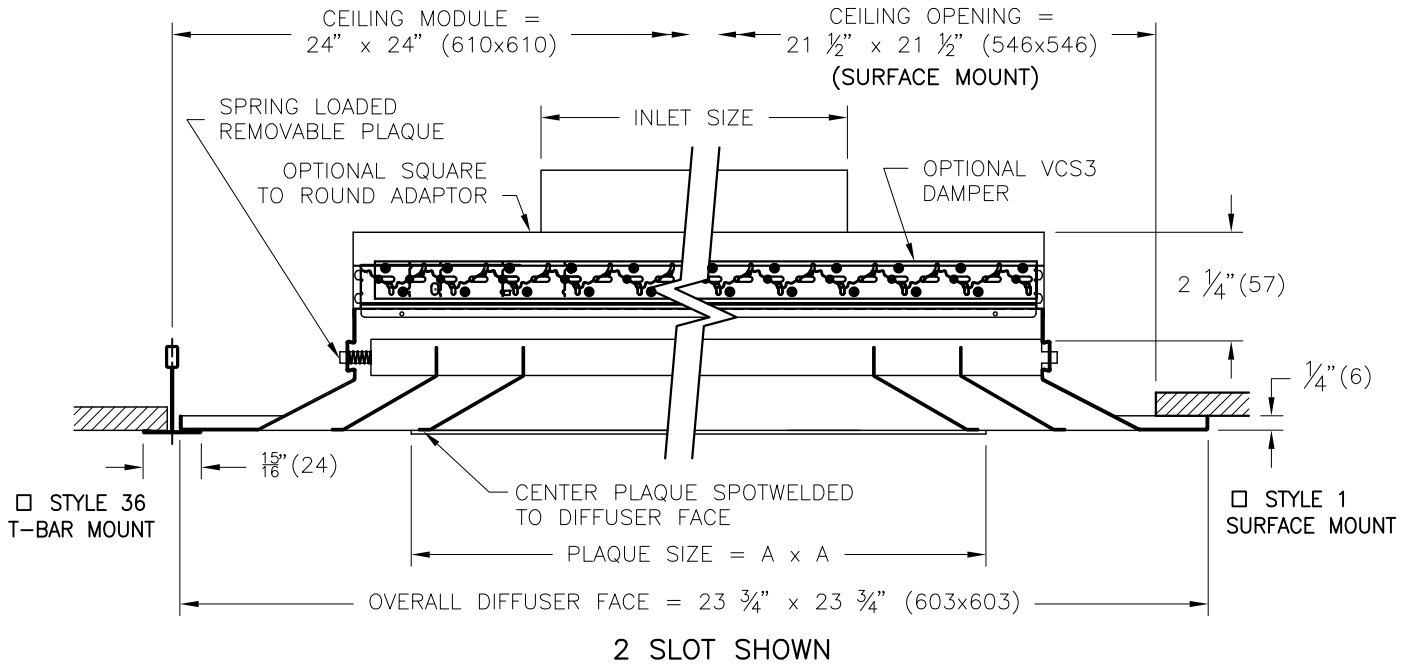


**SMDP
PLAQUE FACE CEILING DIFFUSER**



3 SLOT	12 1/16" (322)
2 SLOT	15 1/16" (398)
1 SLOT	18 1/16" (475)
Slot Qty.	A

MATERIAL:

- DIFFUSER CORE & PLAQUE – STEEL CONSTRUCTION
- FRAME – STEEL (STYLE 1 & 36)
- FRAME – ALUMINUM (STYLE 17)

FINISH:

- DIFFUSER & PLAQUE: B12 WHITE (OPTIONAL FINISHES AVAILABLE)
- PLENUM: MILL FINISH

NOTES:

- FACTORY TOLERANCE ± 1/32" (1)

AVAILABLE INLETS:

- 18" x 18" (457x457) (DIFFUSER FRAME ONLY, NO INLET ADAPTOR)
- SR – WITH COATED STEEL SQUARE TO ROUND ADAPTOR, MILL FINISH:
 - 6" (152) 12" (305)
 - 8" (203) 14" (356)
 - 9" (229) 15" (381)
 - 10" (254)

OPTIONAL DAMPERS:

- VCS3 – COATED STEEL OPPOSED BLADE DAMPER, MILL FINISH
- VCR8E (REQUIRES SR ADAPTOR, N/A WITH 9" ROUND)
- VCR9 (REQUIRES SR OPTION, N/A WITH 9", 14" OR 15" ROUND)

PROJECT:



ENGINEER:

MQ

CUSTOMER:

242146

SUBMITTAL DATE:

SPEC. SYMBOL:

2016/08/31

SMDP
PLAQUE FACE
CEILING DIFFUSER